



# Fan

10F

There are pieces of furniture that do not age - constantly appreciated, with a timeless design that fits perfectly into any interior. Fan is an elegant, comfortable and at the same time very distinctive armchair - with a detail of a semi-circular seam. This is our most recognizable model on the market. Piotr Kuchciński designed it with both offices and home spaces in mind.

## Collection features:

---

- several types of bases - glides and castors as well as wooden legs which perfectly match the SW40 and SAM tables
- additional cushion improves comfort of use
- the collection also includes a cantilever sofa
- thread options: matching the upholstery color or decorative in one of 16 Pantone colors
- Möbelfakta certificate - a guarantee of durability, safety, environmental care and social responsibility during the production process

## Technical specifications:

---

### product version

10F - swivel armchair

### frame

Four-star aluminium base.

Variant:

- chrome (polished aluminum)

### castors

- standard - hard glides (for soft floors)
- option - felt glides (for hard floors)
- option - teflon glides (universal)

### shell

Metal frame; cold molded foam - density 75 kg/m<sup>3</sup>. Black upholstery - white stitching, other colour of upholstery - black stitching.

Two options of threads:

- upholstery matching threads
- decorative threads in one of 16 Pantone colors

### net weight

11,5 kg

**gross weight**

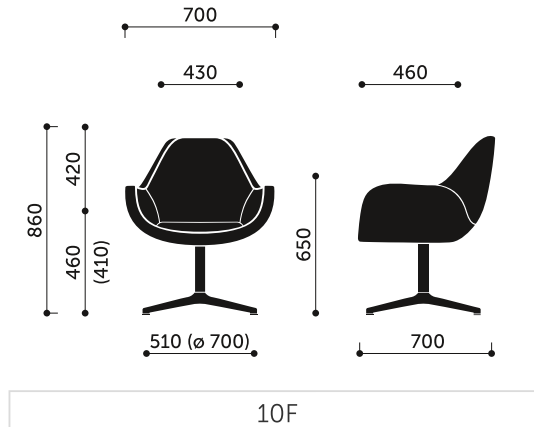
14,5 kg

**additional information**

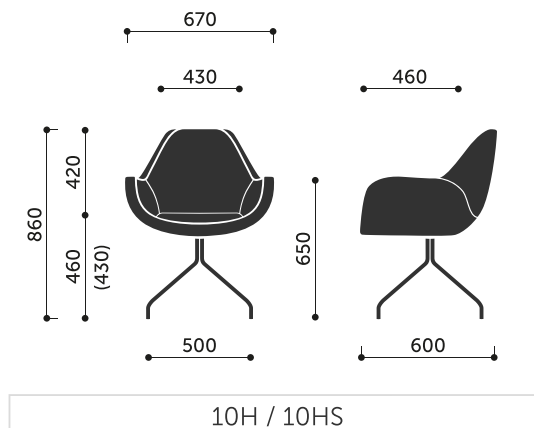
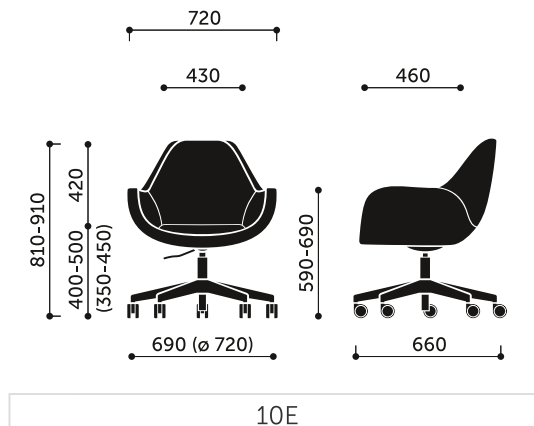
Seat cushion.

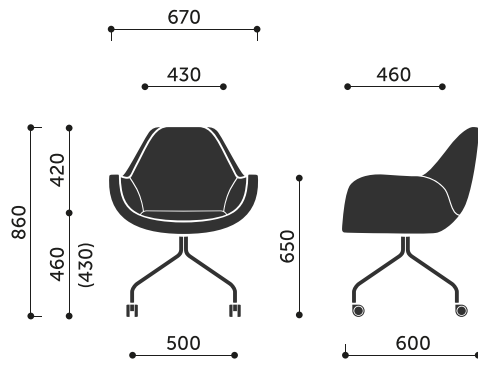
**Product dimensions:**

---

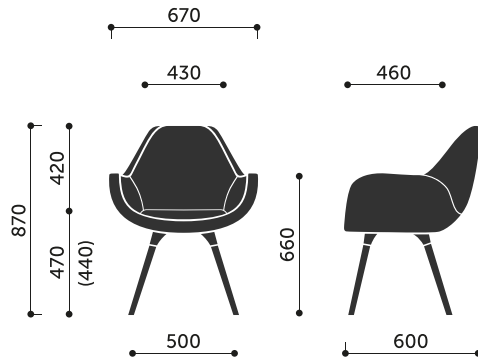


**Dimensions of other models in the collection:**

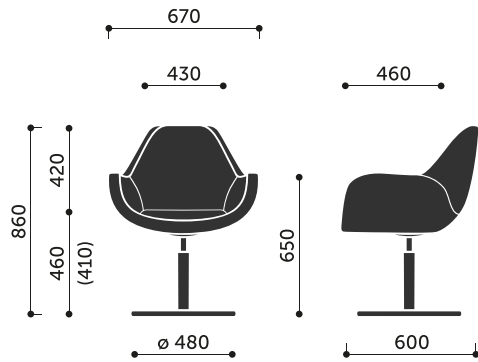




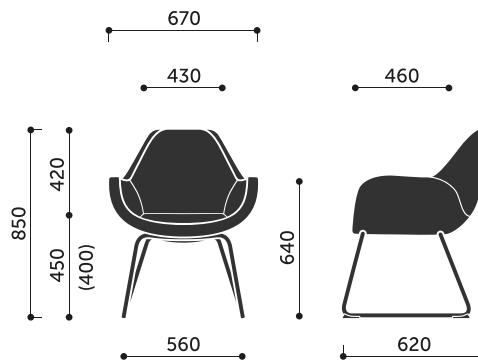
10HC



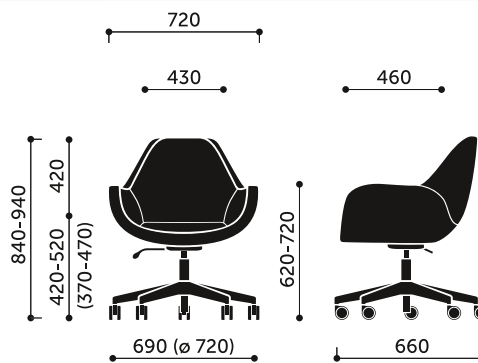
10HW



10R



10V



10Z

