



Fan

10Z

There are pieces of furniture that do not age - constantly appreciated, with a timeless design that fits perfectly into any interior. Fan is an elegant, comfortable and at the same time very distinctive armchair - with a detail of a semi-circular seam. This is our most recognizable model on the market. Piotr Kuchciński designed it with both offices and home spaces in mind.

Collection features:

- several types of bases - glides and castors as well as wooden legs which perfectly match the SW40 and SAM tables
- additional cushion improves comfort of use
- the collection also includes a cantilever sofa
- thread options: matching the upholstery color or decorative in one of 16 Pantone colors
- Möbelfakta certificate - a guarantee of durability, safety, environmental care and social responsibility during the production process

Technical specifications:

product version

10Z - swivel armchair, Rocker mechanism

frame

Five-star aluminium base.

Variants:

- chrome (polished aluminium)
- black (plastic)
- metallic (powder coated)

mechanism

Rocker – adjustment of seat height, and the angle of inclination of the seat, with the possibility of blocking in upright position. Tilting the shell forwards eliminates pressure on thighs

Castors / glides

- universal castors
- teflon glides

shell

Metal frame; cold molded foam - density 75 kg/m³. Black upholstery - white stitching, other colour of upholstery - black stitching.

Two options of threads:

- upholstery matching threads
- decorative threads in one of 16 Pantone colors

net weight

12,0 kg

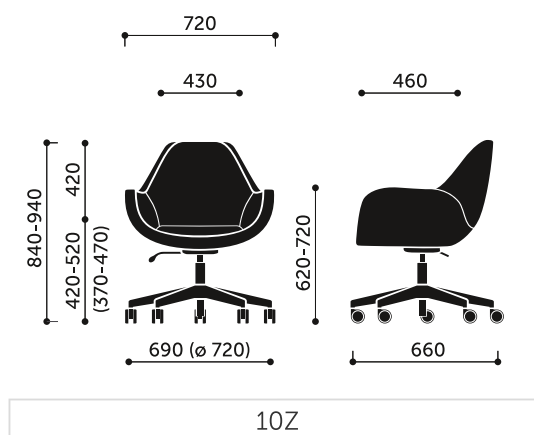
gross weight

16,5 kg

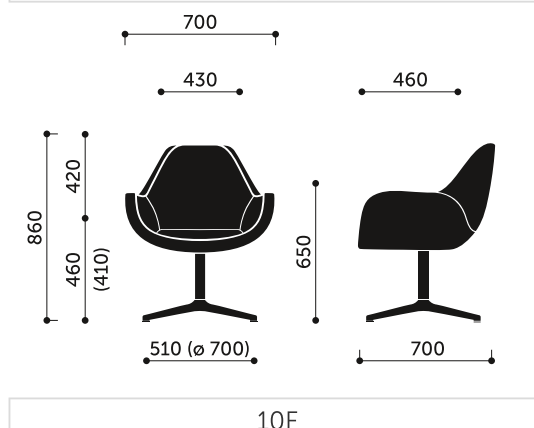
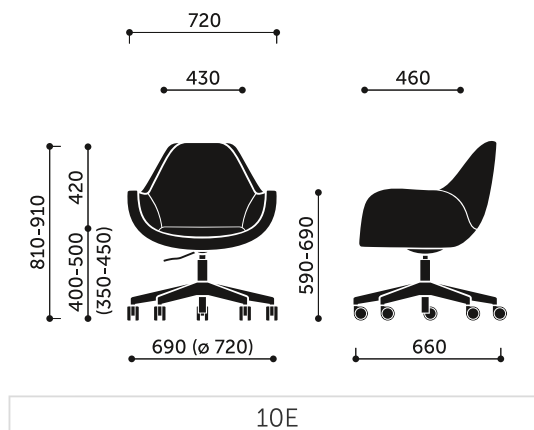
additional information

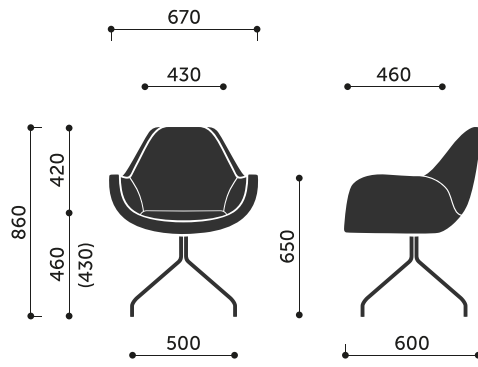
Seat cushion.

Product dimensions:

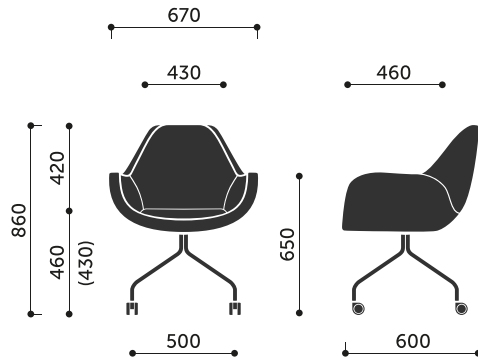


Dimensions of other models in the collection:

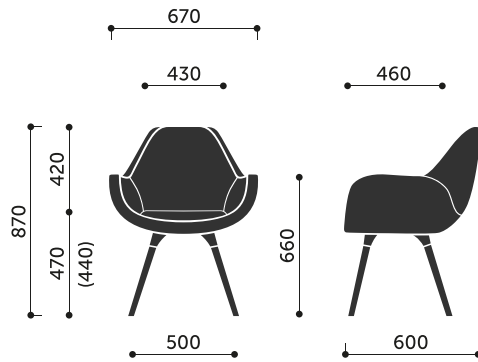




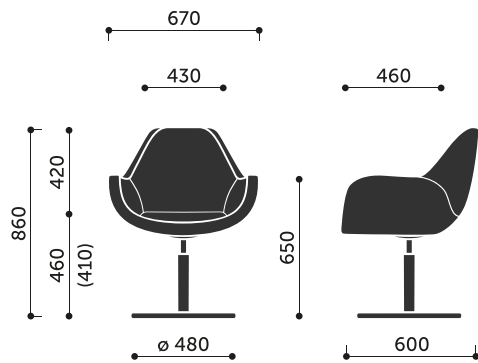
10H / 10HS



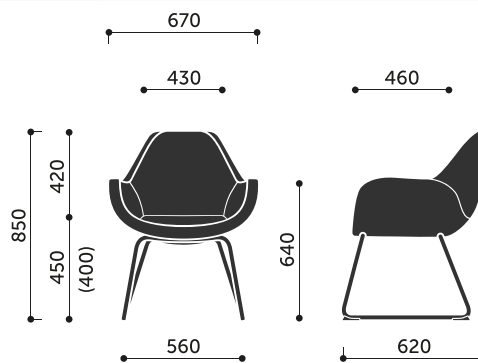
10HC



10HW



10R



10V

