



Fan

20V

There are pieces of furniture that do not age - constantly appreciated, with a timeless design that fits perfectly into any interior. Fan is an elegant, comfortable and at the same time very distinctive armchair - with a detail of a semi-circular seam. This is our most recognizable model on the market. Piotr Kuchciński designed it with both offices and home spaces in mind.

Collection features:

- several types of bases - glides and castors as well as wooden legs which perfectly match the SW40 and SAM tables
- additional cushion improves comfort of use
- the collection also includes a cantilever sofa
- thread options: matching the upholstery color or decorative in one of 16 Pantone colors
- Möbelfakta certificate - a guarantee of durability, safety, environmental care and social responsibility during the production process

Technical specifications:

product version

20V - 2-seat sofa, cantilever

frame

metal tube with cross section fi 16 mm.

Variants:

- MetallicPro
- Chrome
- Black / RAL 9005
- White / RAL 9016
- Light Grey / NCS S 2500 N
- Grey / NCS S 6500 N
- Deep Green / RAL 6004
- Navy Blue / RAL 5003
- Burgundy / RAL 3005
- Salvia/Green / RAL 6021
- Blue / RAL 5014
- Terracota / RAL 3012

- Gold

Glides

- standard - hard glides (for soft floors)
- option - felt glides (for hard floors)

shell

Metal frame; cold molded foam - density 75 kg/m³. Black upholstery - white stitching, other colour of upholstery - black stitching.

Two options of threads:

- upholstery matching threads
- decorative threads in one of 16 Pantone colors.

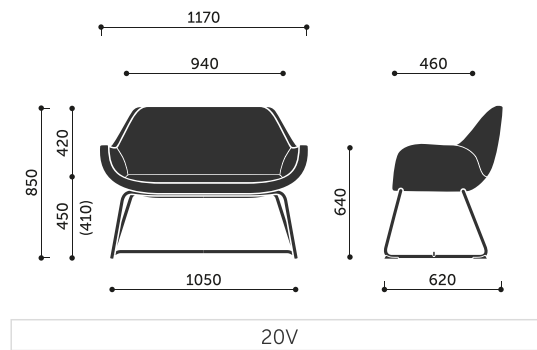
net weight

10,5 kg

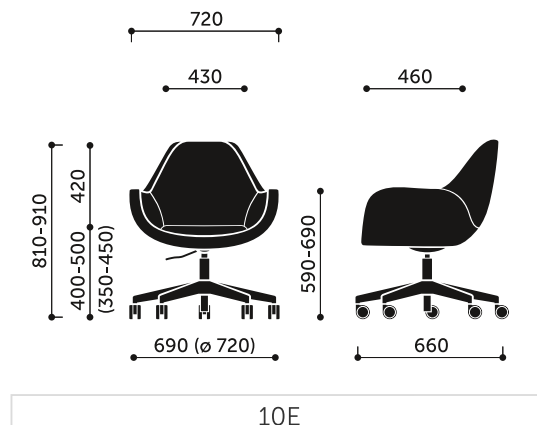
gross weight

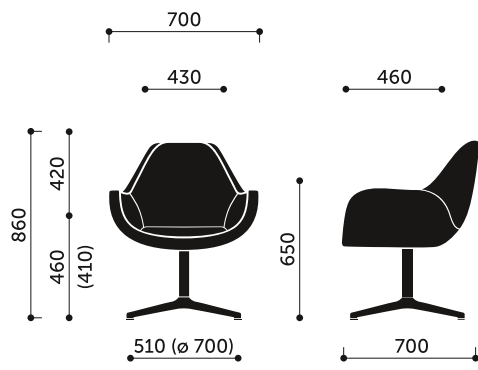
13,5 kg

Product dimensions:

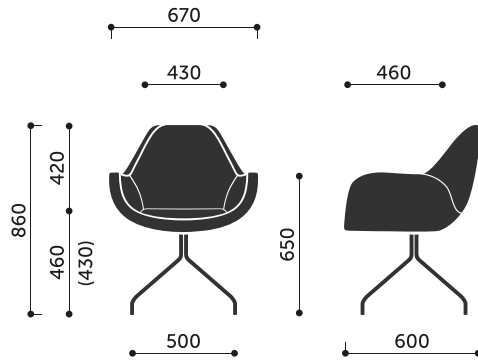


Dimensions of other models in the collection:

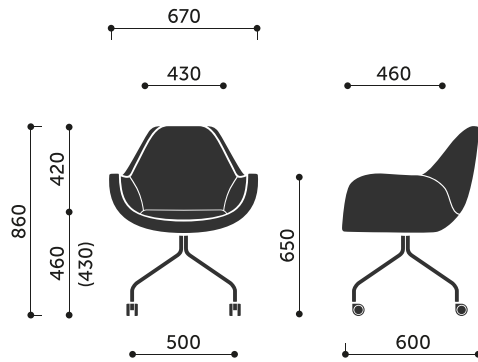




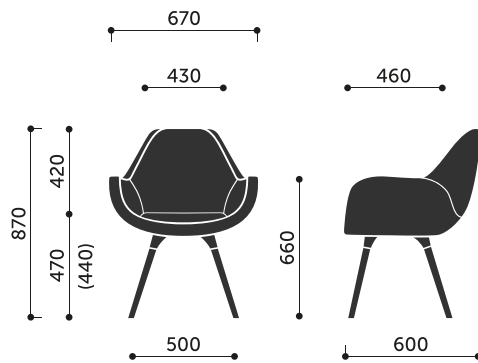
10F



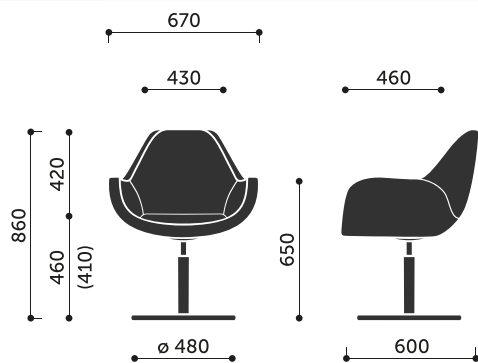
10H / 10HS



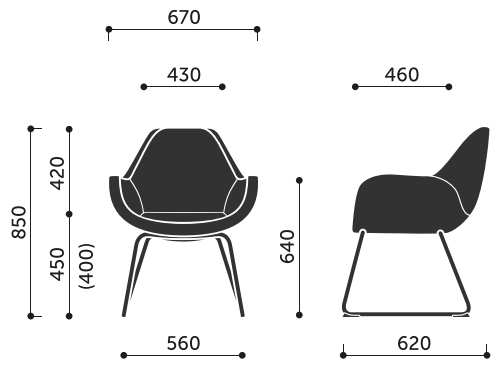
10HC



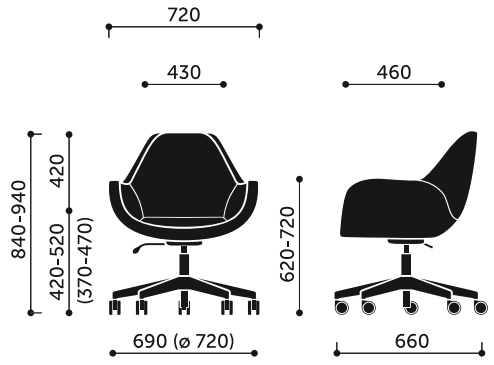
10HW



10R



10V



10Z