



Nu

20F

Ideal for spaces that require compact solutions. It will prove useful both in offices and hotel lobbies. The Nu model, designed by Paul Brooks, is an armchair with the right proportions and an organic shape that adds elegance to the interior. It was made of the best quality materials.

Collection features:

- the inner and outer sections of the shell may have different coloured fabrics
- the shell is mounted on several types of bases
- the cushion will increase the comfort of rest
- Möbelfakta certificate - a guarantee of durability, safety, environmental care and social responsibility during the production process

Technical specifications:

product version

20F - swivel armchair, small shell, 4-leg base

frame

Four-star aluminium base.

Variant:

- chrome (polished aluminium)

glides

- Teflon glides - universal (set)
- Felt glides - for hard floors (set)

shell

Metal frame; cold molded foam - density 85 kg/m³ - for shell and 70 kg/m³ - for cushion on the seat.

gaslift

- standard - gas lift without memory
- option - gas lift with memory

net weight

12,0 kg

gross weight

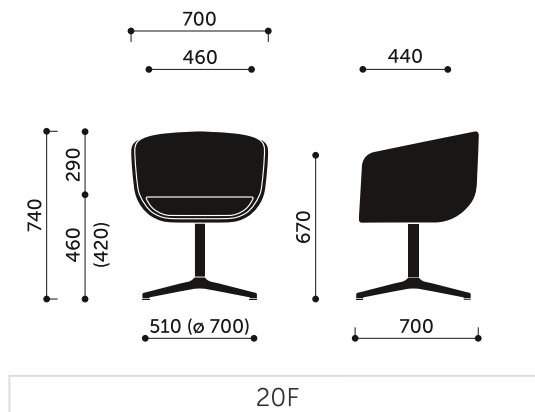
15,0 kg

additional information

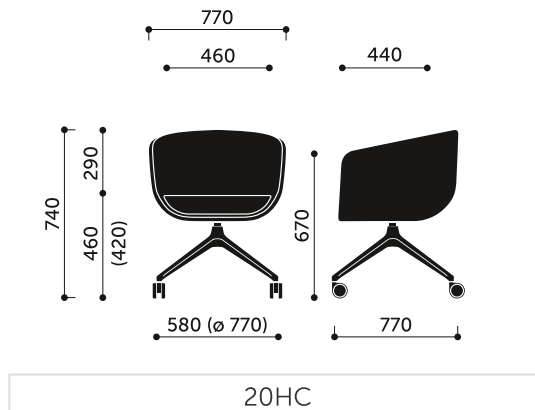
Option of mixing colours of the same fabric according to below scheme:

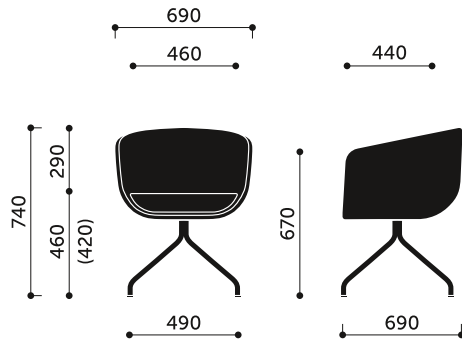
- A - cushion on the seat
- B - inner part of shell colour
- C - outer part of shell colour

Product dimensions:

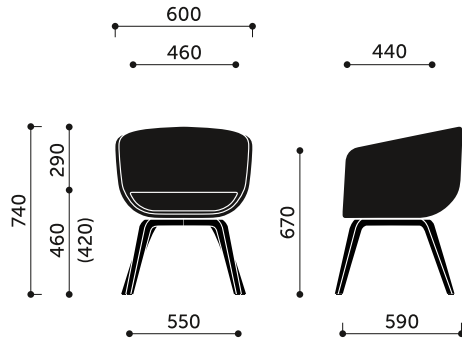


Dimensions of other models in the collection:

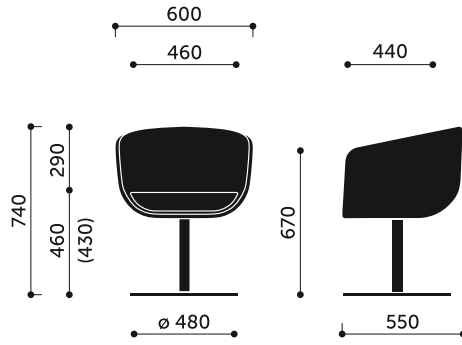




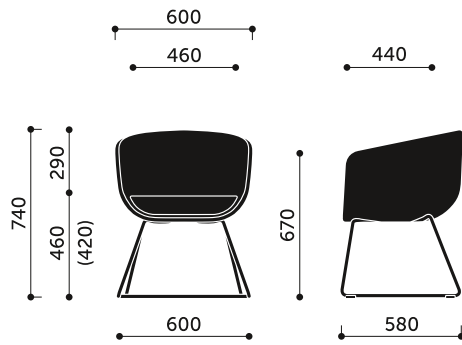
20HS



20HW



20R



20V3