



# Nu

20R

Ideal for spaces that require compact solutions. It will prove useful both in offices and hotel lobbies. The Nu model, designed by Paul Brooks, is an armchair with the right proportions and an organic shape that adds elegance to the interior. It was made of the best quality materials.

## Collection features:

---

- the inner and outer sections of the shell may have different coloured fabrics
- the shell is mounted on several types of bases
- the cushion will increase the comfort of rest
- Möbelfakta certificate - a guarantee of durability, safety, environmental care and social responsibility during the production process

## Technical specifications:

---

### product version

20R - swivel armchair, small shell, round base

### frame

metal, round base.

Variants:

- MetallicPro
- Chrome
- Black / RAL 9005
- White / RAL 9016
- Light Grey / NCS S 2500 N
- Grey / NCS S 6500 N
- Deep Green / RAL 6004
- Navy Blue / RAL 5003
- Burgundy / RAL 3005
- Salvia/Green / RAL 6021
- Blue / RAL 5014
- Terracota / RAL 3012

### glides

- option: Felt glides - for hard floors (set)

### gaslift

- standard - gas lift without memory
- option - gas lift with memory

### shell

Metal frame; cold molded foam - density 85 kg/m<sup>3</sup> - for shell and 70 kg/m<sup>3</sup> - for cushion on the seat.

### net weight

22,0 kg

### gross weight

27,0 kg

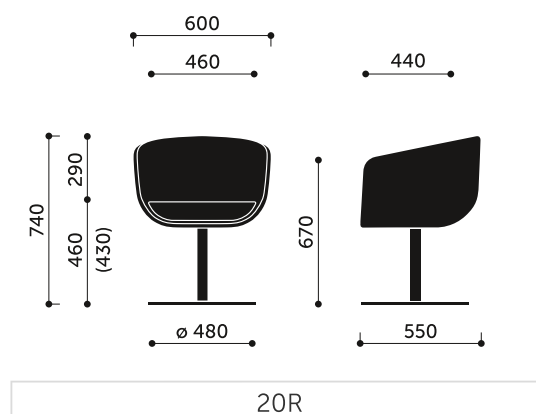
### additional information

Option of mixing colours of the same fabric according to below scheme:

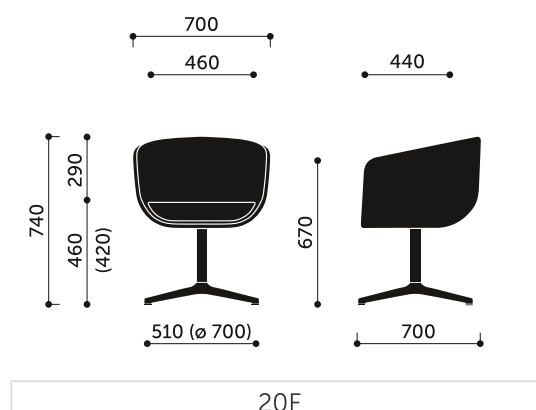
- A - cushion on the seat
- B - inner part of shell colour
- C - outer part of shell colour

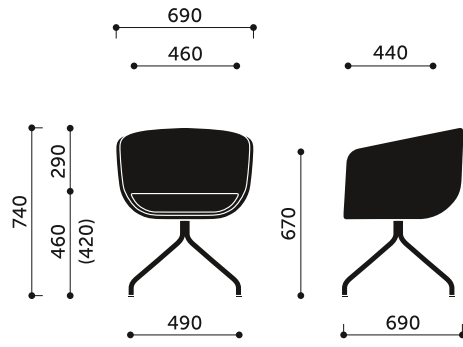
## Product dimensions:

---

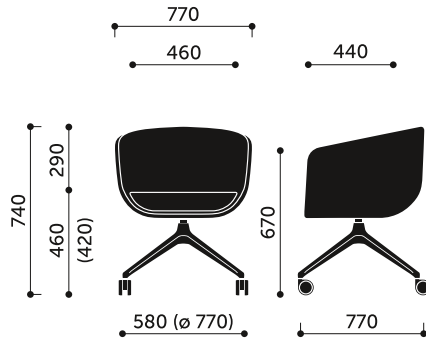


### Dimensions of other models in the collection:

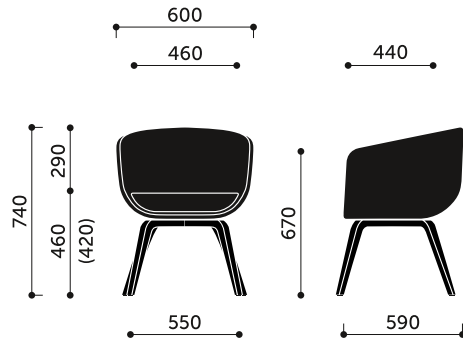




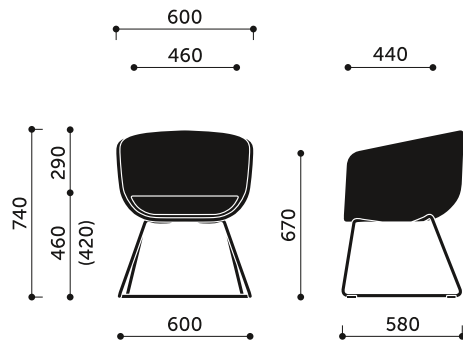
20HS



20HC



20HW



20V3